

*Nano*  
XPert® Nano Enclosures



*Nano* 

LABCONCO

XPert® Filtered Balance System 



Protecting your  
laboratory environment

**LABCONCO**®



## XPert® Nano Enclosures / Features & Benefits

XPert Nano Enclosures provide user protection by keeping hazardous powders and particulates contained during procedures such as nanoparticle manipulation and dry powder chemical handling. Room air is pulled into the enclosure through the front, flows to the baffle

and finally passes through a 99.999% ULPA exhaust filter before returning to the laboratory or cleanroom. Stainless steel interior sides, removable baffle, removable air foil and integral work surface are easy to wipe down and keep clean.

**ULPA exhaust filter, 99.999% efficient**, traps particles 0.12 micron in size so that ultra clean air returns to the laboratory.

**Space-saving design.** Impeller and ULPA filter are contained within the enclosure's upper plenum for a smaller overall footprint than a separate enclosure and exhauster can offer.

**Optimal ULPA filter location** permits leak-detection scan of entire surface.

**Static-dissipative and durable** epoxy-coated metal exterior, stainless steel interior and safety glass sash.

**Ergonomic angled sash** allows for closer, more comfortable viewing. **Tempered safety glass** provides better scratch and chemical resistance and is less prone to static charge than acrylic.

**Front-mounted pressure gauge** helps determine ULPA filter loading.

**Built-in airflow monitor** alerts the user to face velocities outside of preset range.

**Upper containment sash foil** directs contaminants away from the user's breathing zone.



**Patented\* rear baffle** with zones of perforations promotes horizontal laminar airflow. The baffle pivots down or may be easily removed for cleaning.

**Side-entry air foils** allow air to sweep interior surfaces to enhance containment.

**Type 304 stainless steel interior sides, baffle, air foil and work surface** resist corrosion and are easy to clean.

**Built-in impeller has vibration-isolation supports** to minimize disturbance to sensitive balances.

**Patented\* Clean-Sweep™ air foil** allows air to sweep the work surface to maximize containment. The air foil is easy to remove for cleaning it and the areas beneath it.

**Quiet operation** as low as 48 decibels.

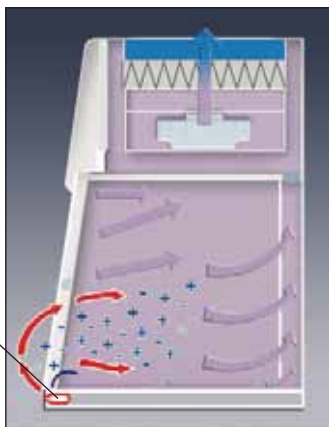
**Upper dilution air supply** sweeps clean air to the back of sash to keep contaminants away from the operator.

**True bag-in/bag-out ULPA filter disposal system** allows for safe filter replacement.

**Integral, crevice-free stainless steel work surface** has radiused corners for maximum containment and easy cleanability sweep interior surfaces to enhance containment.

**Deep 23.4" interior** easily accommodates large apparatus including analytical balances. Some 5' and 6' models are available with 30" interior depths.

**Optional built-in ionizer** neutralizes static charge on interior surfaces by emitting ions in the airstream, which helps reduce weighing errors and powders being attracted to surfaces.



**Intrinsically safe.** The positive pressure impeller is surrounded by a negative pressure plenum so that if a leak should develop, the unfiltered air is captured and filtered.



## XPert® Nano Enclosures / Specifications



XPert Nano Enclosure  
3887320 is shown on  
Hydraulic Lift Base Stand  
3780300.



- Space-saving design. No separate filtered exhauster is required.
- Quiet operation (see chart below).
- Type 304 stainless steel interior sides, baffle, air foil and integral work surface.
- Glacier white and gray, dry powder epoxy-coated aluminum and steel exterior.
- Pre-wired fluorescent lamp and switches for blower and light.
- 1/4" (0.6 cm) thick tempered safety glass front sash.
- 9.4" (24 cm) sash opening height on 2', 3' and 4' models. 11.8" (30 cm) height on 5' and 6' models.
- Ergonomic angled and hinged sash that pivots upward, locks in the "up" position, and has a wiping seal to contain contaminants. 5' and 6' models incorporate an external gas-assist lift.
- Two utility ports for pass-through of electrical cords.
- Particulate containment independently verified by NanoSafe, Inc.

### All models conform to the following regulations and standards:

- SEFA 1-2002
- Modified ASHRAE 110-1995
- ANSI Z9.5-1993
- UL 3101-1/61010-1
- CAN/CSA C22.2 No. 1010.1
- CE Conformity Marking (230 volt models)

### Built-in Option:

- ☑ Ionizer to neutralize static charge.

### All models require:

- Supporting base. See page 6.

### Optional accessories include:

- Canopy Connection. See page 7.
- Remote Blowers. See back page.
- Ductwork. See back page.

### All models feature:

- ☑ Deep interior. 2', 3', 4' and some 5' and 6' models have 23.4" (50 cm) depths. Other 5' and 6' models have 30.0" (76 cm) interior depths.
- ☑ Ergonomic air foil with aerodynamic Clean-Sweep\* airflow openings. Side spring pin releases air foil for cleaning.
- ☑ Upper dilution air supply.
- ☑ Upper containment sash foil.
- ☑ Zone-perforated, rear baffle.\* Baffle pivots down or may be removed for cleaning.
  - Side-entry air foils.
  - Exhaust ULPA filter, 99.999% efficient on particles 0.12 micron in size.
- ☑ Top-accessible ULPA filter for leak scanning of entire surface.
- ☑ True bag-in/bag-out filter disposal system (requires certified technician).
- Built-in blower with dynamically-balanced, vibration-isolated motorized impeller and speed control. Blower has a 40% reserve so that the speed may be adjusted as needed by a certified technician as the filter loads.
- Guardian Airflow Monitor that continuously monitors airflow with a green LED that glows when airflow is within set point range and a red LED that glows and an audible alarm that sounds when airflow is outside set point range.
- Intrinsically safe, negative pressure plenum design.
- Pressure gauge to monitor filter loading.

Nominal Width	Sash Opening Ht.	Total Exhaust CFM and Sound Pressure Levels					
		100 fpm	80 fpm	60 fpm	db(A)	db(A)	db(A)
2'	9.4"	145	53-58	115	50-56	85	48-53
3'	9.4"	220	58-61	175	53-57	130	48-53
4'	9.4"	295	62-66	235	58-61	175	49-54
5'	11.8"	480	63-67	385	58-63	290	52-56
6'	11.8"	580	67-69	465	61-63	350	55-57

☑ Exclusive feature

\*U.S. Patent No. 6,461,233



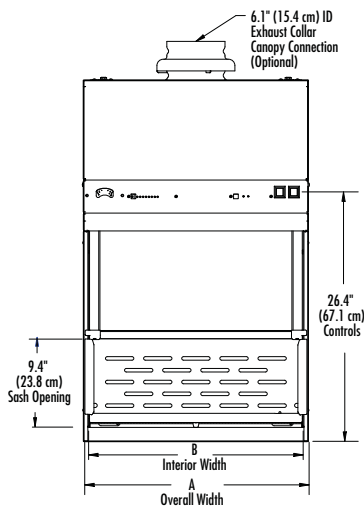
### XPert® Nano Enclosures

Nominal Width	Catalog Number	Overall Dimensions	Interior Dimensions	Electrical Requirements	Built-In Ionizer	Shipping Weight lbs./kg		
Standard Models	2'	<b>3887220</b>	24.0" w x 29.1" d x 38.3" h	22.7" w x 23.4" d x 22.6" h	100/115 volts, 60 Hz	—	205/93	
	2'	<b>3887221*</b>	24.0" w x 29.1" d x 38.3" h	22.7" w x 23.4" d x 22.6" h	230 volts, 50 Hz	—	205/93	
	2'	<b>3887260</b>	24.0" w x 29.1" d x 38.3" h	22.7" w x 23.4" d x 22.6" h	100 volts, 60 Hz	Yes	210/95	
	2'	<b>3887261</b>	24.0" w x 29.1" d x 38.3" h	22.7" w x 23.4" d x 22.6" h	115 volts, 60 Hz	Yes	210/95	
	2'	<b>3887262*</b>	24.0" w x 29.1" d x 38.3" h	22.7" w x 23.4" d x 22.6" h	230 volts, 50 Hz	Yes	210/95	
	3'	<b>3887320</b>	36.0" w x 29.1" d x 38.3" h	34.7" w x 23.4" d x 22.6" h	100/115 volts, 60 Hz	—	255/116	
	3'	<b>3887321*</b>	36.0" w x 29.1" d x 38.3" h	34.7" w x 23.4" d x 22.6" h	230 volts, 50 Hz	—	255/116	
	3'	<b>3887360</b>	36.0" w x 29.1" d x 38.3" h	34.7" w x 23.4" d x 22.6" h	100 volts, 60 Hz	Yes	260/118	
	3'	<b>3887361</b>	36.0" w x 29.1" d x 38.3" h	34.7" w x 23.4" d x 22.6" h	115 volts, 60 Hz	Yes	260/118	
	3'	<b>3887362*</b>	36.0" w x 29.1" d x 38.3" h	34.7" w x 23.4" d x 22.6" h	230 volts, 50 Hz	Yes	260/118	
Tall Models	4'	<b>3887420</b>	48.0" w x 29.1" d x 38.3" h	46.7" w x 23.4" d x 22.6" h	100/115 volts, 60 Hz	—	305/138	
	4'	<b>3887421*</b>	48.0" w x 29.1" d x 38.3" h	46.7" w x 23.4" d x 22.6" h	230 volts, 50 Hz	—	305/138	
	4'	<b>3887460</b>	48.0" w x 29.1" d x 38.3" h	46.7" w x 23.4" d x 22.6" h	100 volts, 60 Hz	Yes	310/141	
	4'	<b>3887461</b>	48.0" w x 29.1" d x 38.3" h	46.7" w x 23.4" d x 22.6" h	115 volts, 60 Hz	Yes	310/141	
	4'	<b>3887462*</b>	48.0" w x 29.1" d x 38.3" h	46.7" w x 23.4" d x 22.6" h	230 volts, 50 Hz	Yes	310/141	
	5'	<b>3887520</b>	60.0" w x 29.1" d x 47.5" h	58.7" w x 23.4" d x 31.8" h	100/115 volts, 60 Hz	—	530/240	
	5'	<b>3887521*</b>	60.0" w x 29.1" d x 47.5" h	58.7" w x 23.4" d x 31.8" h	230 volts, 50 Hz	—	530/240	
	5'	<b>3887560</b>	60.0" w x 29.1" d x 47.5" h	58.7" w x 23.4" d x 31.8" h	100 volts, 60 Hz	Yes	535/243	
	5'	<b>3887561</b>	60.0" w x 29.1" d x 47.5" h	58.7" w x 23.4" d x 31.8" h	115 volts, 60 Hz	Yes	535/243	
	5'	<b>3887562*</b>	60.0" w x 29.1" d x 47.5" h	58.7" w x 23.4" d x 31.8" h	230 volts, 50 Hz	Yes	535/243	
Tall & Deep Models	5'	<b>3888520</b>	60.0" w x 35.6" d x 47.5" h	58.7" w x 30.0" d x 31.8" h	100/115 volts, 60 Hz	—	565/256	
	5'	<b>3888521*</b>	60.0" w x 35.6" d x 47.5" h	58.7" w x 30.0" d x 31.8" h	230 volts, 50 Hz	—	565/256	
	5'	<b>3888560</b>	60.0" w x 35.6" d x 47.5" h	58.7" w x 30.0" d x 31.8" h	100 volts, 60 Hz	Yes	570/259	
	5'	<b>3888561</b>	60.0" w x 35.6" d x 47.5" h	58.7" w x 30.0" d x 31.8" h	115 volts, 60 Hz	Yes	570/259	
	5'	<b>3888562*</b>	60.0" w x 35.6" d x 47.5" h	58.7" w x 30.0" d x 31.8" h	230 volts, 50 Hz	Yes	570/259	
	Tall Models	6'	<b>3887620</b>	72.0" w x 29.1" d x 47.5" h	70.7" w x 23.4" d x 31.8" h	100/115 volts, 60 Hz	—	630/286
		6'	<b>3887621*</b>	72.0" w x 29.1" d x 47.5" h	70.7" w x 23.4" d x 31.8" h	230 volts, 50 Hz	—	630/286
		6'	<b>3887660</b>	72.0" w x 29.1" d x 47.5" h	70.7" w x 23.4" d x 31.8" h	100 volts, 60 Hz	Yes	635/288
		6'	<b>3887661</b>	72.0" w x 29.1" d x 47.5" h	70.7" w x 23.4" d x 31.8" h	115 volts, 60 Hz	Yes	635/288
		6'	<b>3887662*</b>	72.0" w x 29.1" d x 47.5" h	70.7" w x 23.4" d x 31.8" h	230 volts, 50 Hz	Yes	635/288
Tall & Deep Models		6'	<b>3888620</b>	72.0" w x 35.6" d x 47.5" h	70.7" w x 30.0" d x 31.8" h	100/115 volts, 60 Hz	—	670/304
		6'	<b>3888621*</b>	72.0" w x 35.6" d x 47.5" h	70.7" w x 30.0" d x 31.8" h	230 volts, 50 Hz	—	670/304
		6'	<b>3888660</b>	72.0" w x 35.6" d x 47.5" h	70.7" w x 30.0" d x 31.8" h	100 volts, 60 Hz	Yes	675/306
		6'	<b>3888661</b>	72.0" w x 35.6" d x 47.5" h	70.7" w x 30.0" d x 31.8" h	115 volts, 60 Hz	Yes	675/306
		6'	<b>3888662*</b>	72.0" w x 35.6" d x 47.5" h	70.7" w x 30.0" d x 31.8" h	230 volts, 50 Hz <sup>1</sup>	Yes	675/306

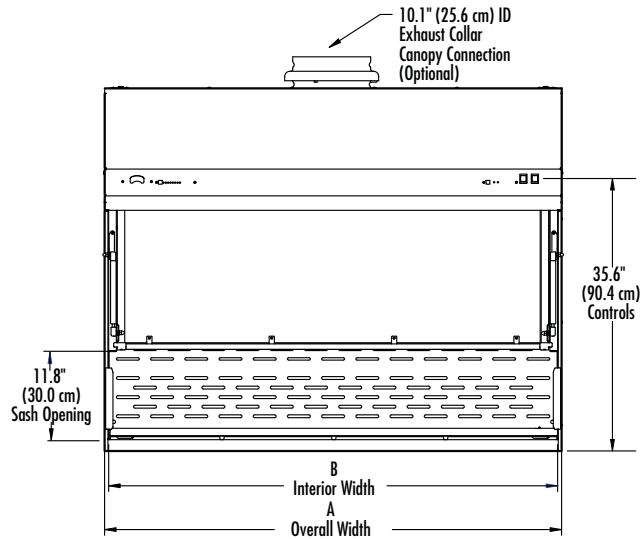
<sup>1</sup>International electrical configuration



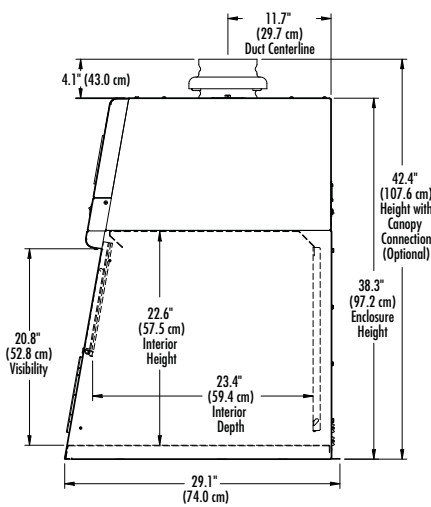
Nominal Width	A	B
2'	24.0" (61.0 cm)	22.7" (57.7 cm)
3'	36.0" (91.4 cm)	34.7" (88.2 cm)
4'	48.0" (121.9 cm)	46.7" (118.6 cm)
5'	60.0" (152.4 cm)	58.7" (149.1 cm)
6'	72.0" (182.9 cm)	70.7" (179.6 cm)



**FRONT**  
(2', 3' and 4' Nominal Width Models)

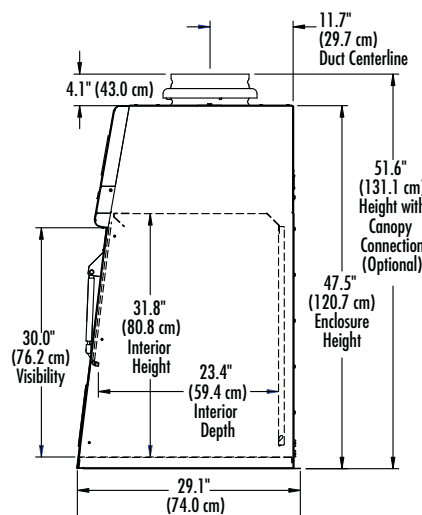


**FRONT**  
(5' and 6' Nominal Width Models)



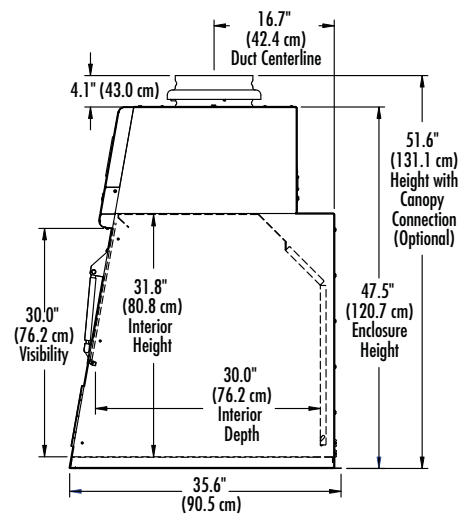
**SIDE**  
**Standard Models**  
(2', 3' and 4' Nominal Width Models)

- 3887220, 3887221, 3887260, 3887261,
- 3887262, 3887320, 3887321, 3887360,
- 3887361, 3887362, 3887420, 3887421,
- 3887460, 3887461, 3887462



**SIDE**  
**Tall Models**  
(5' and 6' Nominal Width Models)

- 3887520, 3887521, 3887560,
- 3887561, 3887562, 3887620,
- 3887621, 3887660, 3887661, 3887662



**SIDE**  
**Tall & Deep Models**  
(5' and 6' Nominal Width Models)

- 3888520, 3888521, 3888560,
- 3888561, 3888562, 3888620,
- 3888621, 3888660, 3888661, 3888662



## XPert® Nano Enclosures / Base Stands & Cabinets



Telescoping Base Stand 3746702. Inset: Accessory Shelf.

### Telescoping Base Stands

Epoxy-coated 1.75" (4.4 cm) tubular steel. Adjustable to eight height positions at installation in 1" (2.5 cm) from 27.5" (70 cm) to 34.5" (88 cm). Depth is 29.0" (74 cm). Available with fixed feet or 5" (13 cm) diameter casters.



Hydraulic Lift Base Stand 3780201

### Hydraulic Lift Base Stands

Epoxy-coated 1.75" (4.4 cm) tubular steel with 2" x 3" (5 x 8 cm) tubular steel subframe. Infinitely adjustable from 25.5" (65 cm) to 33.5" (85 cm) high. Depth is 29.0" (74 cm). Powder-coated, die-cast feet with levelers. Electric models have up/down switch. Manual models have hand crank.



Protector Standard Storage Cabinet 9900000, 48" wide, with dual doors

### Protector® Standard Storage Cabinets

Epoxy-coated steel. Manual-closing, non-locking door(s). Include four leveling feet and one 8" (20 cm) filler panel to increase cabinet depth from 22" (56 cm) to 30" (76 cm). Cabinets may be mixed and matched to so their total width equals the width of the XPert Nano Enclosure or to allow for space between them for a user to be seated.

### Telescoping Base Stands and Accessory Shelves

Nominal Width	Catalog #	Actual Width	Shipping Weight	Description
2'	<b>3746700</b>	24.0" (61 cm)	100 lbs. (45 kg)	With leveling feet
2'	<b>3746710</b>	24.0" (61 cm)	100 lbs. (45 kg)	With toe-locking casters
3'	<b>3746701</b>	36.0" (91 cm)	100 lbs. (45 kg)	With leveling feet
3'	<b>3746711</b>	36.0" (91 cm)	100 lbs. (45 kg)	With toe-locking casters
4'	<b>3746702</b>	48.0" (122 cm)	110 lbs. (50 kg)	With leveling feet
4'	<b>3746712</b>	48.0" (122 cm)	110 lbs. (50 kg)	With toe-locking casters
5'	<b>3746703</b>	60.0" (159 cm)	120 lbs. (54 kg)	With leveling feet
5'	<b>3746713</b>	60.0" (159 cm)	120 lbs. (54 kg)	With toe-locking casters
6'	<b>3746704</b>	72.0" (183 cm)	125 lbs. (57 kg)	With leveling feet
6'	<b>3746714</b>	72.0" (183 cm)	125 lbs. (57 kg)	With toe-locking casters
2'	<b>3811100</b>	20.4" (52 cm)	9 lbs. (4 kg)	Shelf, 9.9" d (25 cm), epoxy-coated steel
3'	<b>3811101</b>	32.4" (82 cm)	12 lbs. (5 kg)	Shelf, 9.9" d (25 cm), epoxy-coated steel
4'	<b>3811102</b>	44.4" (113 cm)	15 lbs. (7 kg)	Shelf, 9.9" d (25 cm), epoxy-coated steel
5'	<b>3811103</b>	56.4" (143 cm)	19 lbs. (9 kg)	Shelf, 9.9" d (25 cm), epoxy-coated steel
6'	<b>3811104</b>	68.4" (174 cm)	23 lbs. (10 kg)	Shelf, 9.9" d (25 cm), epoxy-coated steel
—	<b>3857000</b>	—	10 lbs. (5 kg)	Seismic Bracket Kit for securing stand to floor.

### Hydraulic Lift Base Stands and Caster Kit

Nominal Width	Catalog #	Actual Width	Shipping Weight	Description
3'	<b>3780300</b>	36.0" (91 cm)	150 lbs. (68 kg)	Electric. 115 volts, 60 Hz, 2.4 amps
3'	<b>3780303*</b>	36.0" (91 cm)	150 lbs. (68 kg)	Electric. 230 volts, 50 Hz, 0.8 amp
3'	<b>3780400</b>	36.0" (91 cm)	150 lbs. (68 kg)	Manual
4'	<b>3780301</b>	48.0" (122 cm)	180 lbs. (82 kg)	Electric. 115 volts, 60 Hz, 2.4 amps
4'	<b>3780304*</b>	48.0" (122 cm)	180 lbs. (82 kg)	Electric. 230 volts, 50 Hz, 0.8 amp
4'	<b>3780401</b>	48.0" (122 cm)	180 lbs. (82 kg)	Manual
6'	<b>3780302</b>	72.0" (183 cm)	220 lbs. (100 kg)	Electric. 115 volts, 60 Hz, 2.4 amps
6'	<b>3780305*</b>	72.0" (183 cm)	220 lbs. (100 kg)	Electric. 230 volts, 50 Hz, 0.8 amp
6'	<b>3780402</b>	72.0" (183 cm)	220 lbs. (100 kg)	Manual
—	<b>3784000</b>	—	10 lbs. (5 kg)	Caster Kit, 5" dia. (13 cm), toe-locking

### Protector® Standard Storage Cabinets

Nominal Width	Catalog #	Cabinet Dimensions (w x d x h)	Door(s)	Shipping Weight
4'	<b>9900000</b>	48.0" x 22.0" x 35.5" to 36.75" (122 x 56 x 90 to 93 cm)	Dual	260 lbs. (118 kg)
3'	<b>9900100</b>	36.0" x 22.0" x 35.5" to 36.75" (91 x 56 x 90 to 93 cm)	Dual	180 lbs. (82 kg)
2'	<b>9900300</b>	24.0" x 22.0" x 35.5" to 36.75" (61 x 56 x 90 to 93 cm)	Single Right Hinge	130 lbs. (59 kg)
1'	<b>9900500</b>	12.0" x 22.0" x 35.5" to 36.75" (30 x 56 x 90 to 93 cm)	Single Right Hinge	65 lbs. (29 kg)
2'	<b>9900600</b>	24.0" x 22.0" x 35.5" to 36.75" (61 x 56 x 90 to 93 cm)	Single Left Hinge	130 lbs. (59 kg)
1'	<b>9900800</b>	12.0" x 22.0" x 35.5" to 36.75" (30 x 56 x 90 to 93 cm)	Single Left Hinge	65 lbs. (29 kg)
1.5'	<b>9904100</b>	18.0" x 22.0" x 31.5" to 32.75" (46 x 56 x 80 to 83 cm)	Single Right Hinge	85 lbs. (39 kg)
1'	<b>9904200</b>	12.0" x 22.0" x 31.5" to 32.75" (30 x 56 x 80 to 83 cm)	Single Right Hinge	60 lbs. (27 kg)
1.5'	<b>9904400</b>	18.0" x 22.0" x 31.5" to 32.75" (46 x 56 x 80 to 83 cm)	Single Left Hinge	85 lbs. (39 kg)
1'	<b>9904500</b>	12.0" x 22.0" x 31.5" to 32.75" (30 x 56 x 80 to 83 cm)	Single Left Hinge	60 lbs. (27 kg)

\*International electrical configuration

Comply with height and/or knee clearance guidelines outlined in Americans with Disabilities Act (ADA) Standards for Accessible Design.



### Replacement ULPA filters and Accessories

Catalog #	Description	For use with:	Shipping Weight
3885700	Replacement ULPA Filter, 99.999% efficient on particles 0.12 micron in size, 18.0" w x 18.0" d x 3.3" high (46 x 46 x 8 cm)	2' XPert Nano Enclosure	8 lbs. (4 kg)
3885701	Replacement ULPA Filter, 99.999% efficient on particles 0.12 micron in size, 30.0" x 18.0" x 3.3" high (76 x 46 x 8 cm)	3' XPert Nano Enclosure 6' XPert Nano Enclosure (2 req.)	15 lbs. (7 kg)
3885702	Replacement ULPA Filter, 99.999% efficient on particles 0.12 micron in size, 42.0" w x 18.0" d x 3.3" high (107 x 46 x 8 cm)	4' XPert Nano Enclosure	20 lbs. (9 kg)
3885703	Replacement ULPA Filter, 99.999% efficient on particles 0.12 micron in size 24.0" w x 18.0" d x 3.3" high (61 x 46 x 8 cm)	5' XPert Nano Enclosure (2 required)	13 lbs. (6 kg)
3776003	Replacement Bag for Bag-in/Bag-out, ULPA Filter, 48" circumference x 54" long (122 x 137 cm)	2' XPert Nano Enclosure	5 lbs. (2 kg)
3776004	Replacement Bag for Bag-in/Bag-out, ULPA Filter, 73" circumference x 96" long (185 x 244 cm)	3' XPert Nano Enclosure 6' XPert Nano Enclosure (2 req.)	7 lbs. (3 kg)
3776005	Replacement Bag for Bag-in/Bag-out, ULPA Filter, 96" circumference x 96" long (244 x 244 cm)	4' XPert Nano Enclosure	9 lbs. (4 kg)
3776006	Replacement Bag for Bag-in/Bag-out, ULPA Filter, 60" circumference x 72" long (152 x 183 cm)	5' XPert Nano Enclosure (2 required)	6 lbs. (3 kg)



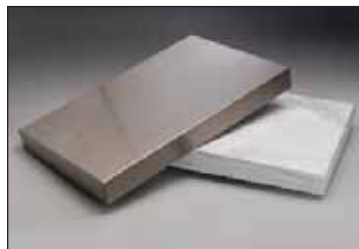
### 3744000 Ergonomic Chair with Armrests

Free-floating articulating seat control includes pneumatic seat height adjustment of 19 - 26" (48 - 66 cm) and backrest height adjustment. Seat and backrest tilt independently with separate levers and can free-float or lock into place. Five-leg black composite base with dual wheel casters that resist movement when the chair is unoccupied. Includes height adjustable, self-skinned urethane armrests and 20" (51 cm) diameter adjustable footring. Black vinyl upholstery. Shipping weight 35 lbs. (16 kg)



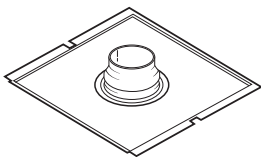
### 3746000 Adjustable Footrest

Elevates feet and permits angle repositioning while in use. 18.5" w x 11.5" d x 8.0" high (47 x 29 x 20 cm). Shipping weight 6 lbs. (3 kg)



### 5234600 Balance Vibration Isolator

Minimizes vibration to sensitive balances. Includes a 13.4" w x 20.4" d x 2.7" thick (34 x 52 x 7 cm) marble slab, four isolator pads, and a type 304 stainless steel protective cover. Shipping weight 75 lbs. (34 kg)



### Canopy Connections

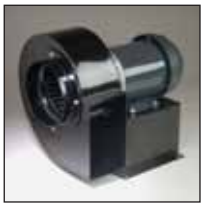
Allow the XPert Nano Enclosure to be thimble-ducted to the outside. The canopy's air gap provides a means of balancing air by allowing room air to enter the ductwork and mix with the filtered air

being exhausted from the enclosure. **House exhaust or remote blower and ductwork are required (not included). Requires installation.**

Catalog #	For use with:	Collar Dia.	Shipping Weight
3924400	2' XPert	6" (15 cm)	15 lbs. (7 kg)
3924401	3' XPert	6" (15 cm)	18 lbs. (8 kg)
3924402	4' XPert	6" (15 cm)	21 lbs. (10 kg)
3924403	5' XPert	10" (25 cm)	25 lbs. (11 kg)
3924404	6' XPert	10" (25 cm)	30 lbs. (14 kg)



## XPert® Nano Enclosures / Blowers & Ductwork / Outside Ducting Options



### Remote Blowers

Recommended when thimble ducting. 1/4 HP TEFC-type direct drive motor blower. Corrosion-resistant phenolic-coated steel housing and impeller. Blower inlet is sized to accept 6" nominal diameter PVC duct. Blower outlet is 4.3" x 7.4" OD (11 x 19 cm). Dimensions: 14.6" w x 13.5" d x 13.3" high (37 x 34 x 34 cm). Shipping weight 35 lbs. (16 kg)

Catalog #	Electrical Requirements
<b>4863500</b>	115 volts, 60 Hz, 4.4 amps
<b>4863501*</b>	115/230 volts, 50 Hz, 5.6/2.8 amps

\*International electrical configuration

CFM @ Static Pressure – Inches of H <sub>2</sub> O						
S.P.	0.0"	0.125"	0.25"	0.50"	0.75"	0.87"
<b>CFM</b>	595	560	515	420	300	167



### 7068200 Remote Blower

Recommended when thimble ducting. 1/2 HP belt drive motor blower. Corrosion-resistant phenolic-coated steel housing and impeller. Dry powder epoxy-coated base and weather cover. Blower inlet is sized to accept 10" nominal diameter PVC duct. Blower outlet is 5.5" x 10.0" OD (14 x 25 cm). Dimensions: 16.1" w x 23.9" d x 22.6" high (41 x 61 x 57 cm).

For operation on 115 volts, 60 Hz, 4.4 amps. Shipping weight 92 lbs. (42 kg)

CFM @ Static Pressure – Inches of H <sub>2</sub> O					
S.P.	0.25"	0.38"	0.50"	0.62"	0.75"
<b>CFM</b>	540-720	410-760	350-710	390-620	430

Blower selection should be based on desired face velocity, duct diameter and duct run. An exhaust damper and/or larger blower may be required. Contact Labconco for blower sizing assistance.

### XPert Nano Enclosures Airflow Guide

Nominal Width	Sash Opening Ht.	Face Velocity (fpm)	Exhaust Volume (CFM)	Initial S.P. Loss (HEPA) (w.g.)	Max. Equiv. Resistance (Ft)	Maximum External S.P. (w.g.)
2'	9.4"	60	85	.35"-.41"	400	.20"
		80	115	.48"-.57"	200	.18"
		100	145	.62"-.72"	80	.13"
3'	9.4"	60	130	.37"-.43"	130	.15"
		80	175	.53"-.62"	50	.11"
		100	220	.68"-.79"	25	.08"
4'	9.4"	60	175	.40"-.46"	100	.20"
		80	235	.57"-.66"	50	.18"
		100	295	.76"-.87"	25	.13"
5'	11.8"	60	290	.38"-.46"	450	.22"
		80	385	.55"-.67"	230	.20"
		100	480	.72"-.85"	120	.15"
6'	11.8"	60	350	.46"-.56"	300	.20"
		80	465	.67"-.81"	150	.18"
		100	580	.87"-.1.03"	70	.13"

